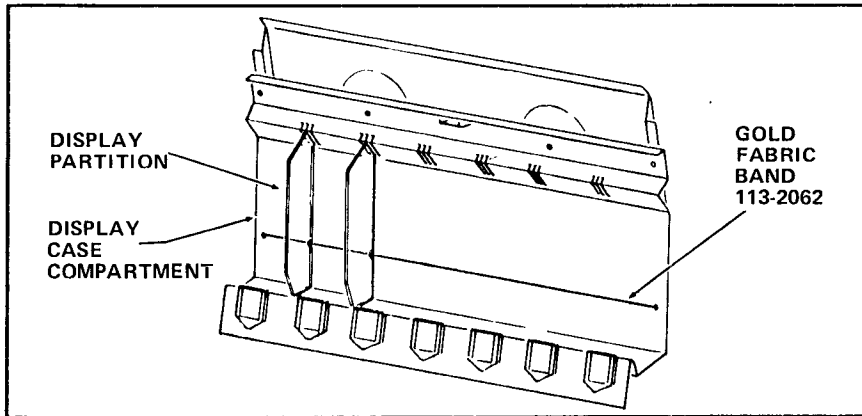


INSTALLATION OF GOLD FABRIC BAND PART NUMBER 113-2062

1. Remove the three Display Case Compartments from the inside of the Cabinet Door.
 - a. Unlatch the Display Case Compartment by pressing up on the latch.
 - b. Open the Display Case Compartment approximately 30°.
 - c. Lift the Display Case Compartment off the Pivot Studs.
2. Lift the Display Partitions up and out of the Display Case Compartments.
3. Remove the Gold Braided Bands from the Display Case Compartments.
4. Install one Gold Fabric Band, Part Number 113-2062, on each Display Case Compartment, by fitting the ends of the Gold Fabric Band through the holes in the Display Case Compartment. See Figure.
5. Install the Display Partitions back on the Display Case Compartments.
6. Install the Display Case Compartments back on the Cabinet Door.

NOTE

Proper seating of Pivot Brackets on Pivot Studs is essential, or Display Case Compartment will not close.



Printed in U.S.A.